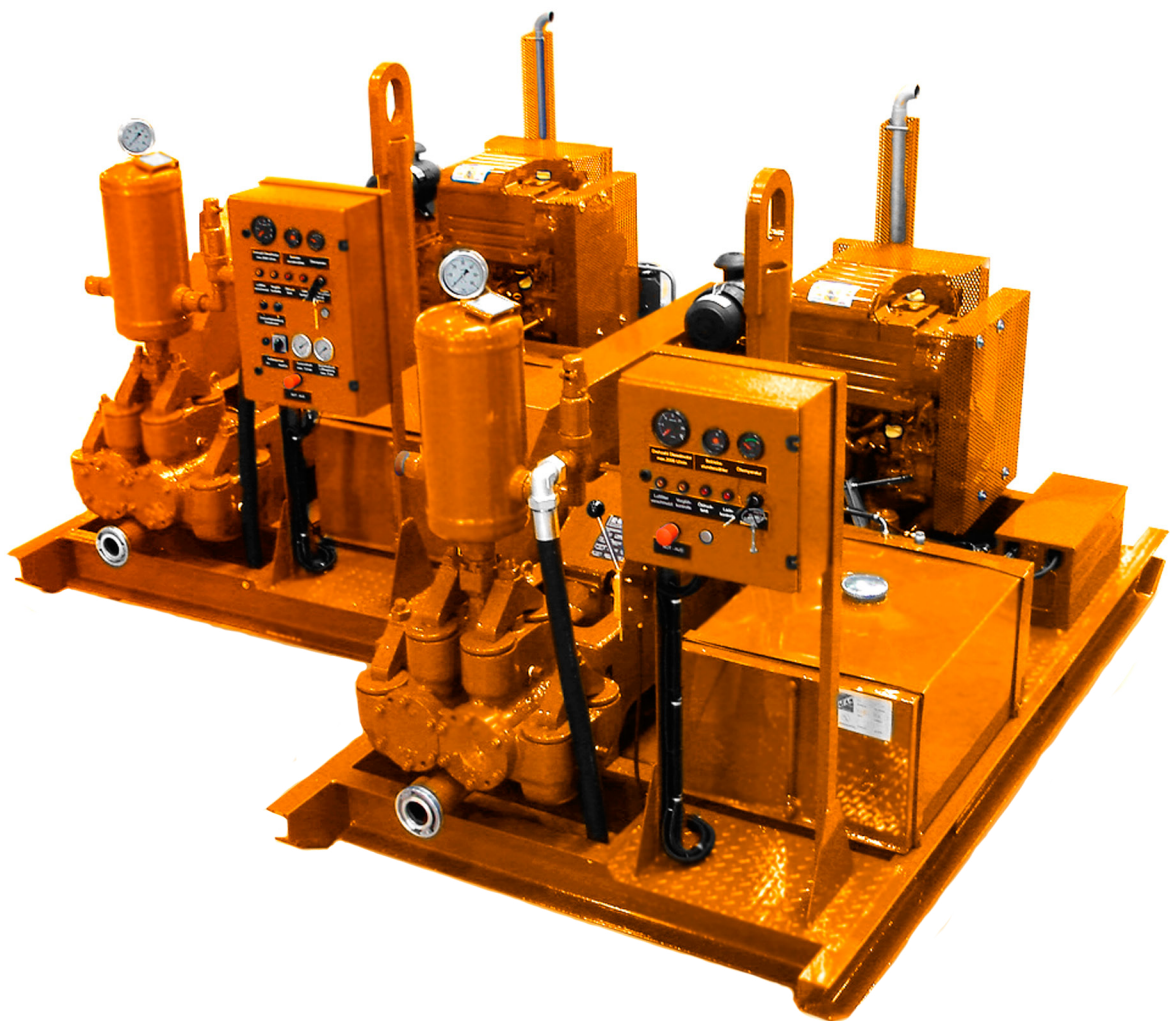
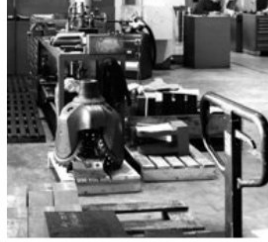


E+M

DRILLING ACCESSORIES

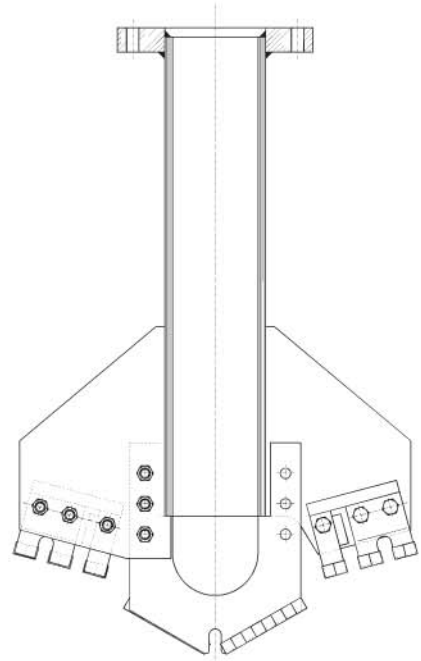
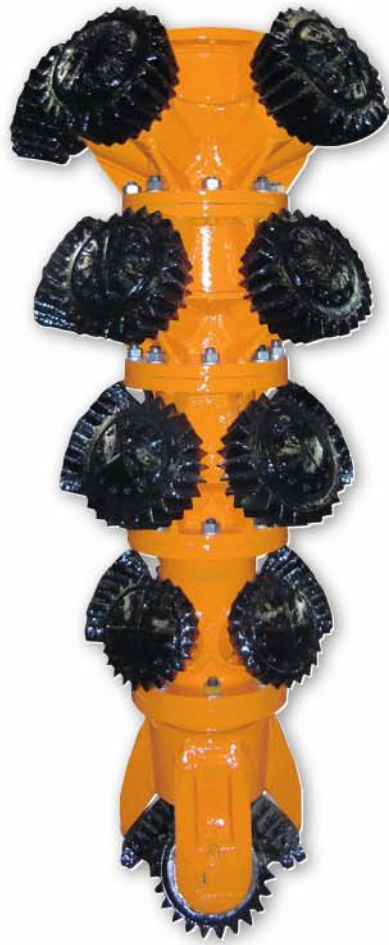
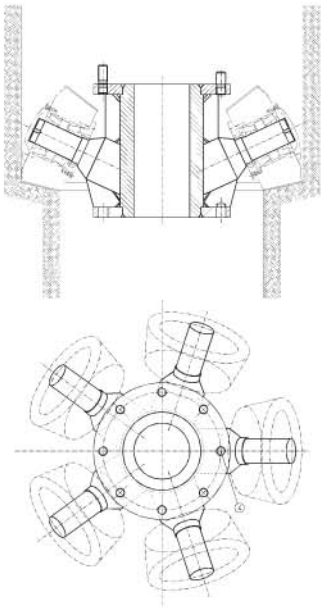
Broad range of drilling accessories from
our own production





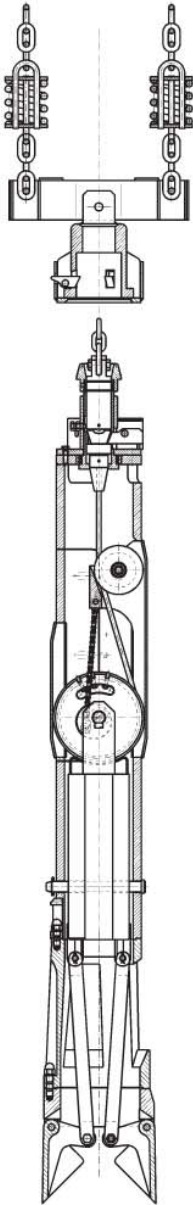
ROTARY BITS

WING BITS

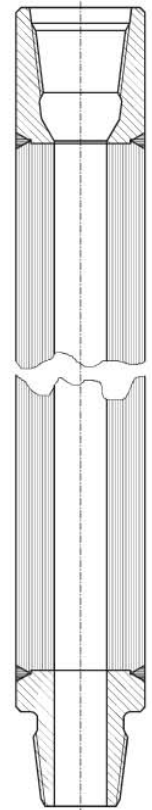
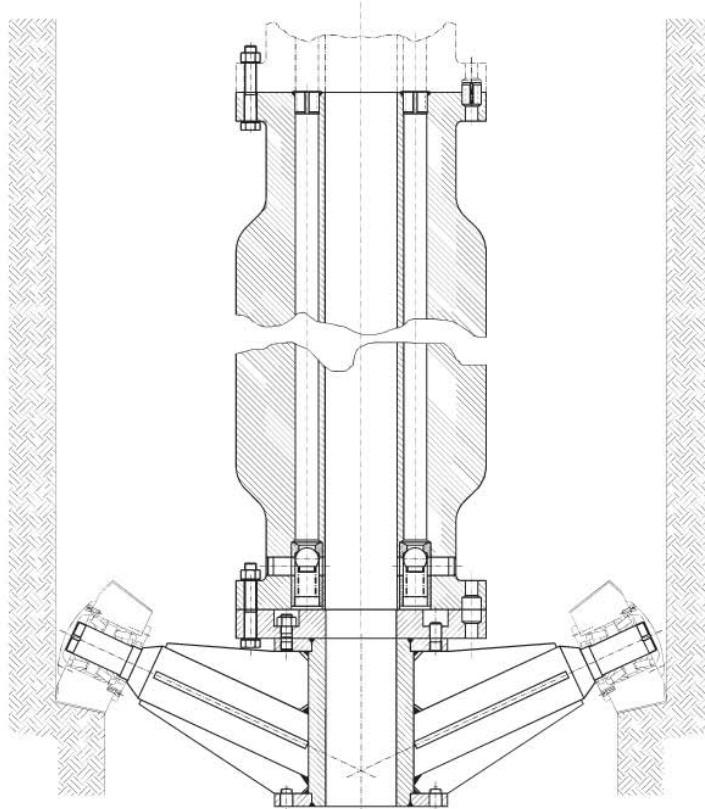


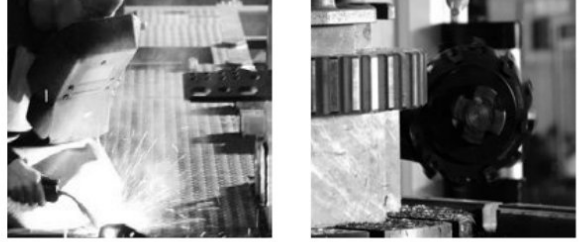


DRILLING GRABS

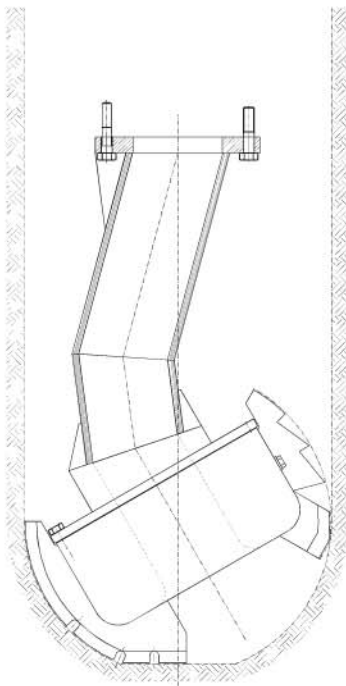


DRILL COLLARS

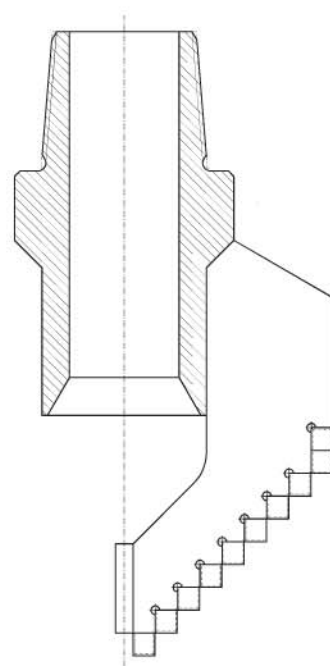




ECCENTRIC ROTARY BITS



PLUG MILLS

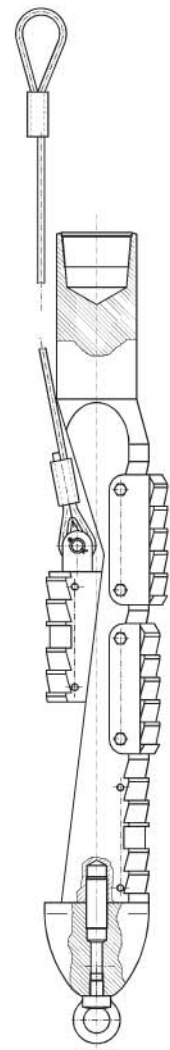
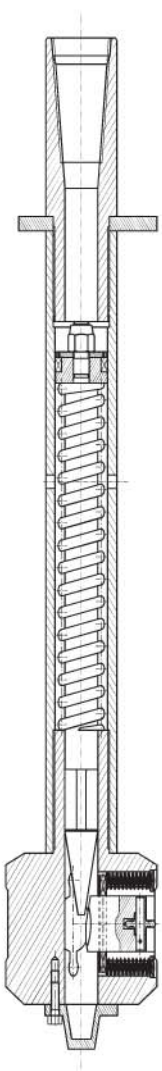


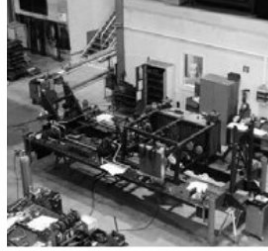


INTERNAL PIPE CUTTERS

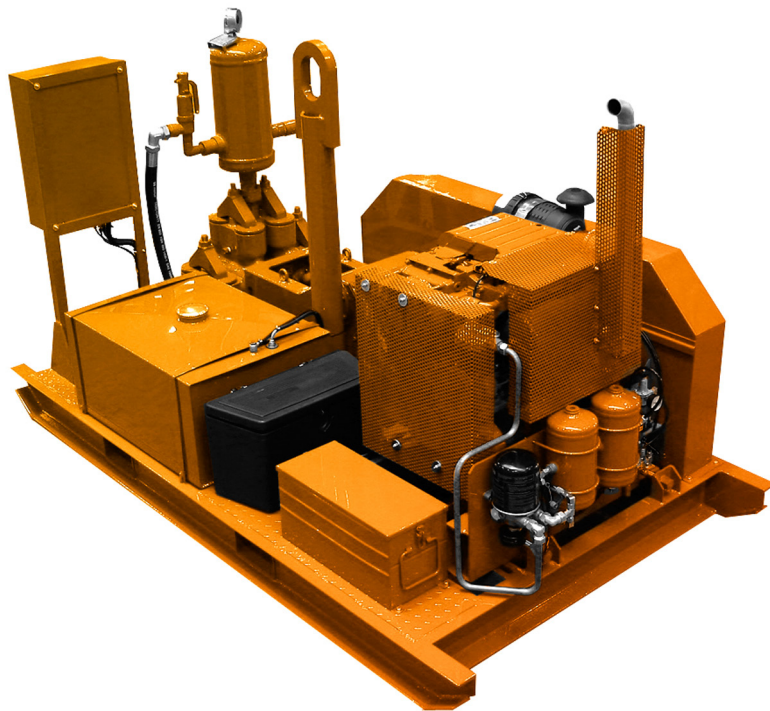
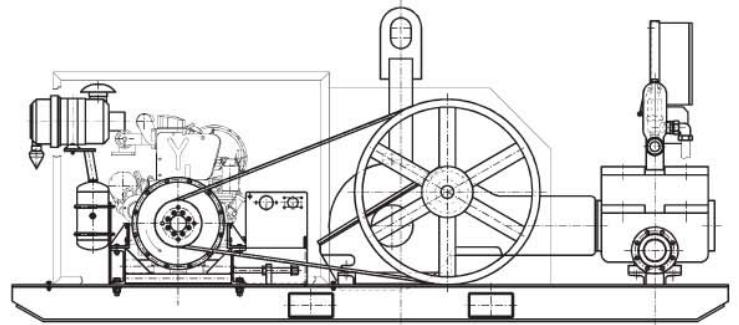
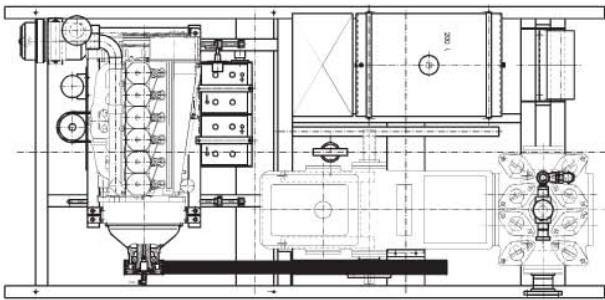
INTERNAL PIPE SLITTERS

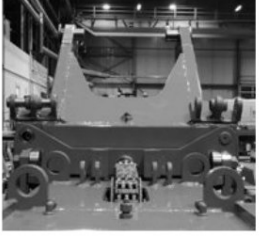
INTERNAL PIPE LIFTERS





PISTON PUMP / PISTON PUMP UNIT

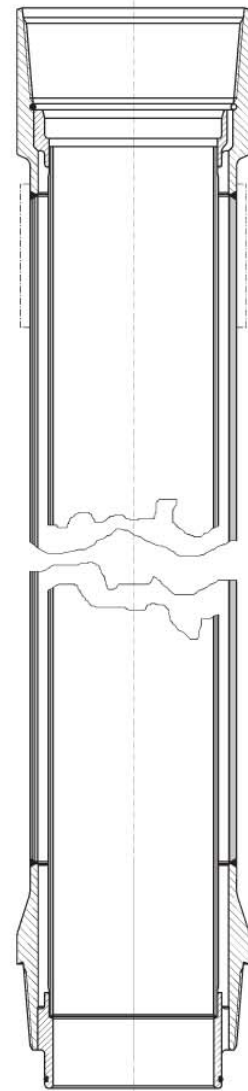
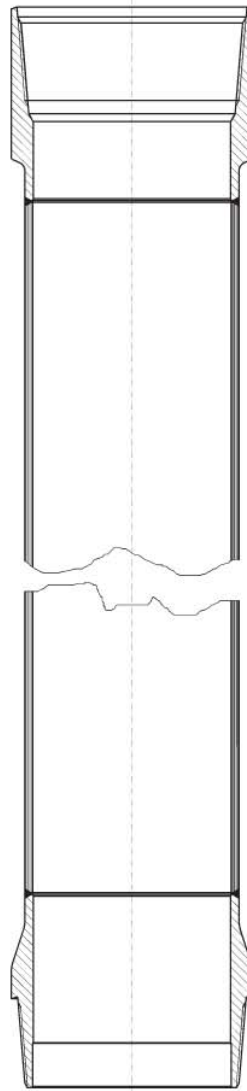




DRILL PIPES

SINGLE-WALLED

DOUBLE-WALLED



E+M Drilling Technologies GmbH

Köpenicker Allee 123-135 • 10318 Berlin

Tel. +49 (0) 30 - 75 65 44 - 0

Fax: +49 (0) 30 - 75 65 44 - 11

Email: info@em-drilling.com

Homepage: www.em-drilling.com

E+M Drilling Technologies GmbH

Hofer Straße 19 • 95030 Hof

Telefon: + 49 (0) 9281 / 14 45 - 0

Telefax: + 49 (0) 9281 / 14 45 - 518 / 587

Email: info@em-drilling.com

Homepage: www.em-drilling.com